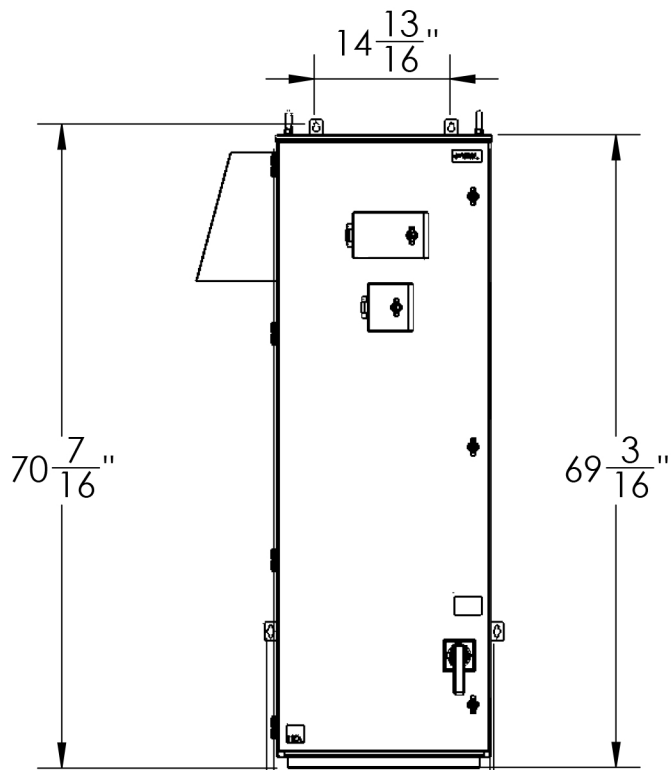
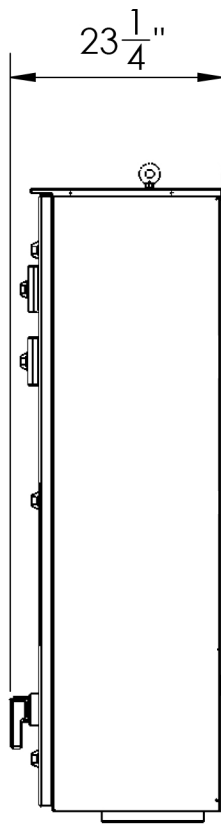


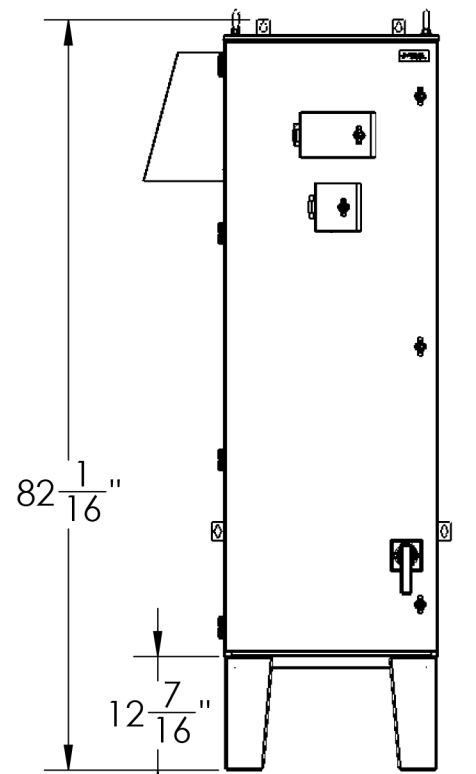
TOP



FRONT



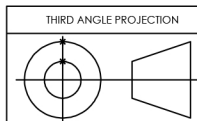
SIDE



OPTIONAL LEG KIT

MODELS

1LHS240
1LHS460
1LHS475
1LHS4100
3LHS250
3LHS260
3LHS4125/DXS4125
3LHS4150/DXS4150
3LHS4200/DXS4200



THIRD ANGLE PROJECTION

UNLESS OTHERWISE SPECIFIED:
 NO DIM, ±0.060" TO MODEL
 0.XX: ±0.02" 0.XXX: ±0.010"
 ANGLES: ±1°
 HOLE Ø: ±0.020" TO MODEL
 HOLE ⌀: ±0.010" TO MODEL

MASS = lb

Drawing Title: LHS/DXS LARGE FRAME			
Part Number: N/A		Revision: 0	
Material: N/A			
Finish: N/A			
Drawn by: FEPI		Checked/Approved by: JLT	
Scale: 1:21	Sheet: 1 of 1	Date: 6/24/2020	Units: IN



This drawing and any information contained within are the confidential and copyright property of Phase Technologies, LLC © and MUST NOT BE DISCLOSED, COPIED, LOANED in whole or part or used for any purpose without the written permission of Phase Technologies, LLC.