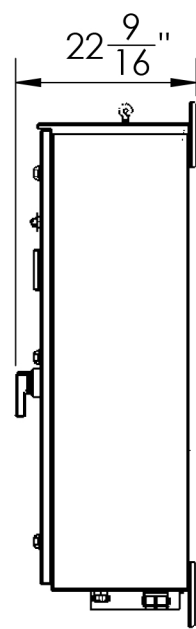
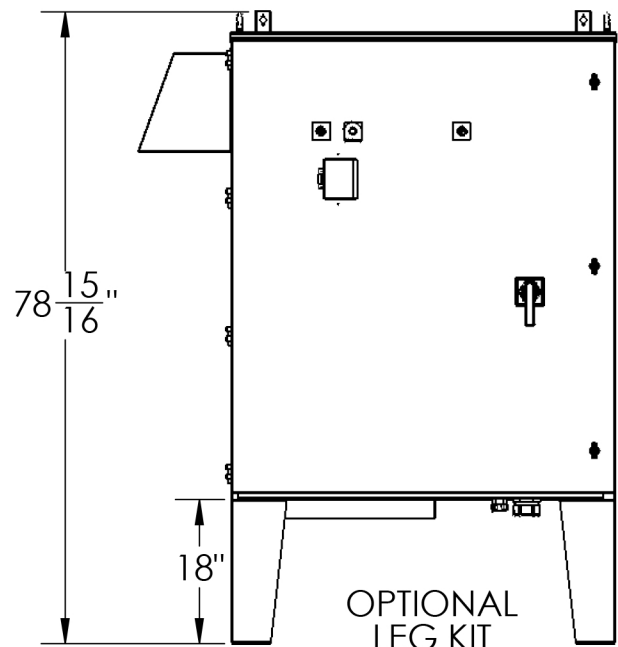


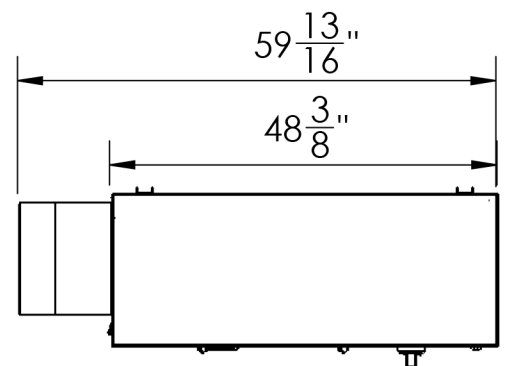
FRONT



SIDE

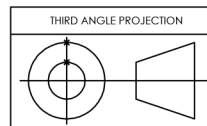


OPTIONAL LEG KIT



TOP

MODELS
3LH250
3LH260
3LH4125/DX4125
3LH4150/DX4150
3LH4200/DX4200
3LH4250/DX4250
3LH4300/DX4300
3LH4350/DX4350
3LH4400/DX4400
3LH4450/DX4450



UNLESS OTHERWISE SPECIFIED:
 NO DIM, ±0.060" TO MODEL
 0.XX: ±0.02" 0.XXX: ±0.010"
 ANGLES: ±1°
 HOLE Ø: ±0.020" TO MODEL
 HOLE ⌀: ±0.010" TO MODEL

MASS = lb			
Drawing Title: 3LH/DX LARGE FRAME			
Part Number: N/A		Revision: 3	
Material: N/A			
Finish: N/A			
Drawn by: JLT		Checked/Approved by:	
Scale: 1:24	Sheet: 1 of 1	Date: 6/24/2020	Units: IN



This drawing and any information contained within are the confidential and copyright property of Phase Technologies, LLC © and MUST NOT BE DISCLOSED, COPIED, LOANED in whole or part or used for any purpose without the written permission of Phase Technologies, LLC.